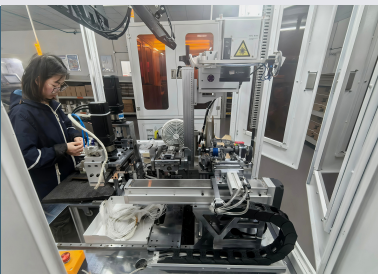
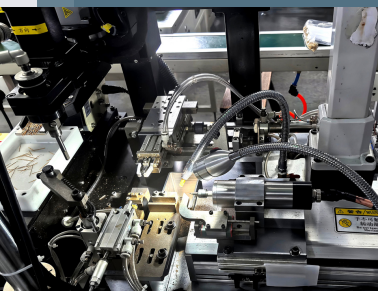


AROC INTL

PRODUCT CATALOGUE



WWW.AROCC.CC





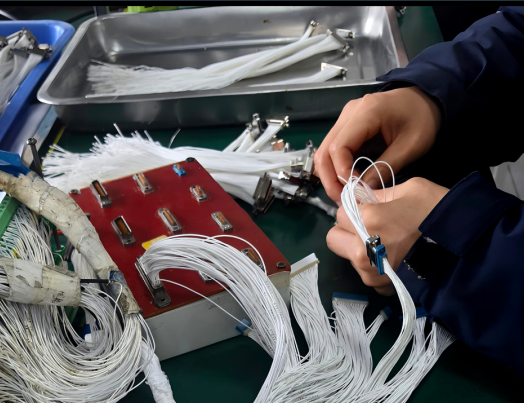
ABOUT US

AROC INTL; We are one of the most prominent manufacturers of aerospace-grade connectors based in mainland China. Over 15 years, we have provided reliable products and services to more than 50 partners across multiple industries worldwide.

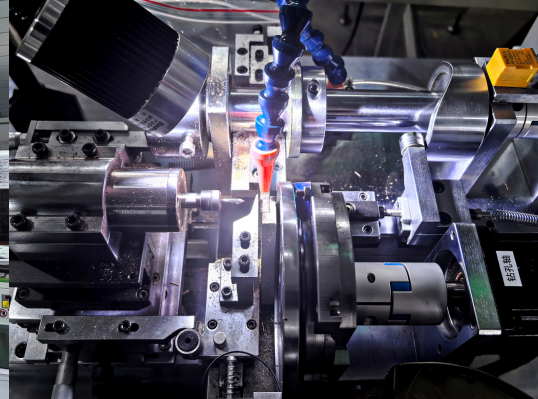
We believe that craftsmanship, progress, and a spirit of challenge are the fundamental driving forces of human development.

We take an extremely high sense of responsibility for our products. At AROC, our primary mission is to provide customers with the most reliable products available.

Throughout AROC's history, we have been committed to building our independent research and development capabilities. Today, our facilities allow us to continuously develop new products that meet the demands of the new era while aligning with customer requirements.



OUR FACILITY



OUR CAPABILITY

We design, manufacture, and test high-grade connectors used in military, aerospace, and commercial applications. Our deep understanding of and support for our customers' interconnect needs have earned us a reputation for excellence among the world's leading users.

OUR VALUES

- **Reliability:** We are committed to delivering work of exceptional quality. What we build has a lasting impact, and excellence in execution is non-negotiable.
- **Enthusiasm:** We view challenges as opportunities for meaningful achievement. We approach our work with genuine energy and optimism, and we actively inspire and uplift those around us.
- **Customer-Centricity:** Our customers are our top priority. We exist to understand their needs deeply and consistently deliver high-quality products and experiences on time, every time.
- **Accountability:** We believe in clear ownership, decisive action, and measurable results to hold ourselves accountable for our commitments.

MDM1 Series Micro Rectangular Electrical Connector

Product Features

- ⊙ The external dimensions of this series of products are 3.1mm smaller in width, 2.1mm lower in height, 4mm shorter in length, and approximately 30% of the volume of MDM series products. This series of products is a structurally reasonable miniaturized product and is recommended for use.
- ⊙ Contact layout: 5, 9, 15, 21, 25, 31, 37, 51, 66, 74, 100
- ⊙ Contact spacing 1mm, row spacing 0.866mm
- ⊙ Crimp section of 0.035mm²~0.1mm² wire
- ⊙ General specifications for product execution: GJB2446A
- ⊙ Detailed specifications for product execution: Q/MB20553-2011

Performance Specifications

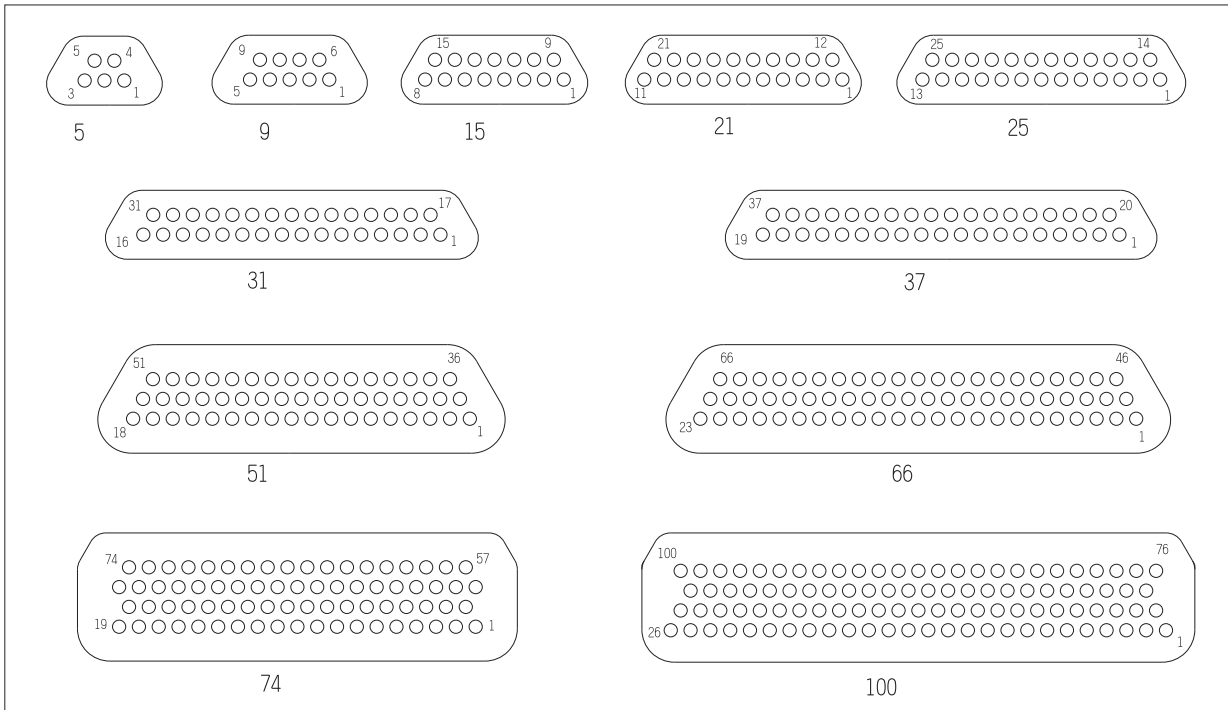
Performance Specifications			
Operating Temperature	-55 • ~+125 • •	Current Rating	2A max
Relative Humidity	+40 • • 98%	Contact Resistance	• 12mΩ
Low pressure	4.4KPa.150V	Insulation Resistance	• 5000M Ω
Vibration	10-2000Hz 196m/s ²	Dielectric Withstanding Voltage	500 V
Shock	490 m/s ²	Mechanical Life	500 times

MDM1 series model composition

SN	Categorical features	Categorical content	Symbol code
1	Series No	Micro-rectangular connector	MDM1
2	Contact layout	Number of contact pieces	Represented by Arabic numerals
3	Contact type	Pin	P
		Socket	S
4	Product type	Sealed	M
5	Termination form	Crimping (with wire)	Blank
		Soldering	S
		right angle solder printed circuit board	N
		horizontal Surface-mounted type	W
6	Trapper	Wire protection shell	H
7	Accessories	Free end locking accessories	L
		Fixed end installation accessoires	P
8	Identical code	-Company identifies	G

MDM1 Series Micro Rectangular Electrical Connector

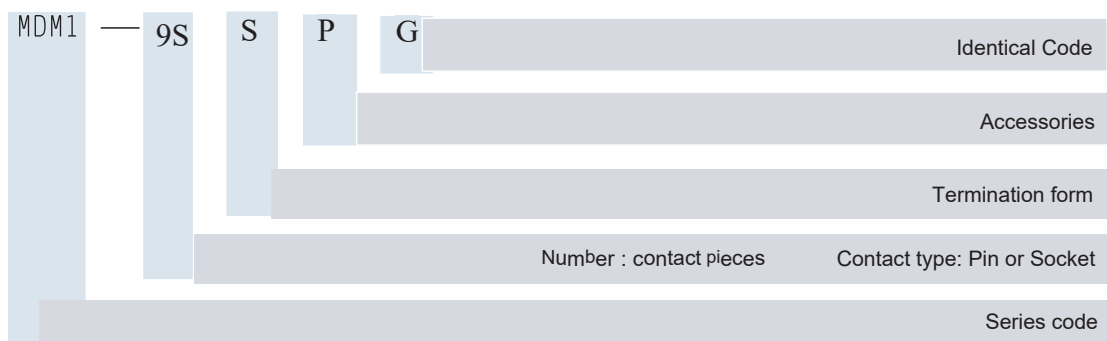
Contact arrangements



Product Family Tree

MDM1 Series	Crimping type	Pin	MDM1-PL-G
		Socket	MDM1-SL-G
	Solder type	Pin	MDM1-PS-G
		Socket	MDM1-SS-G
	Solder printed circuit board	Vertical solder printed circuit	MDM1-PNP4-G/SNP4-G
		Right angle solder printed circuit board	MDM1-PW1P1-G/SW1P1-G
	Sealed type	Socket	MDM1-SM-G
		Pin	MDM1-SMS-G
	Wire protection	Pin	MDM1-PHL4-G
		Socket	MDM1-SHL4-G

MDM1 order information



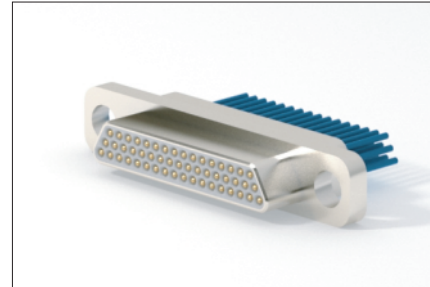
Details refer to table "MDM1 series model composition"

MDM1 Series Micro Rectangular Electrical Connector

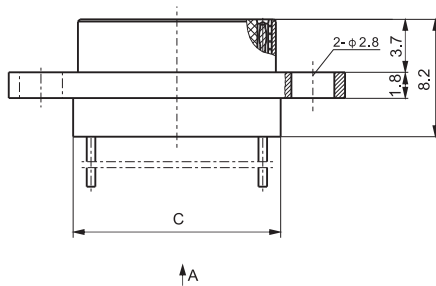
MDM1 crimping electrical connector

⊙ MDM1-5、9、15、21、25、31、37、51、66、74、100 PL-G

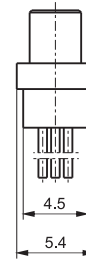
Product Stereoscopic Diagram



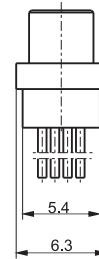
Product dimensions diagram



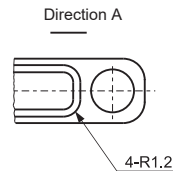
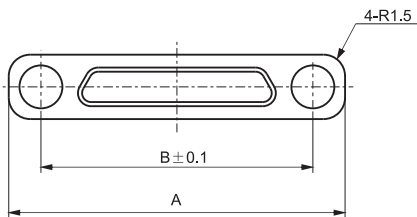
5~37



51、66



74、100

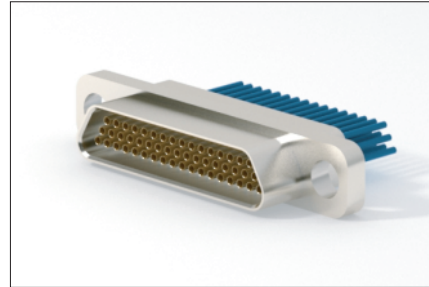


Product model	A	B	C
MDM1-5PL-G	13.5	9	4.5
MDM1-9PL-G	15.5	11	6.5
MDM1-15PL-G	18.5	14	9.5
MDM1-21PL-G	21.5	17	12.5
MDM1-25PL-G	23.5	19	14.5
MDM1-31PL-G	26.5	22	17.5
MDM1-37PL-G	29.5	25	20.5
MDM1-51PL-G	28.5	24	19.5
MDM1-66PL-G	33.	29	24.5
MDM1-74PL-G	29.5	25	20.5
MDM1-100PL-G	36.5	32	27.5

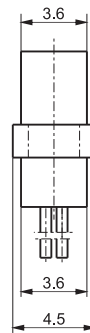
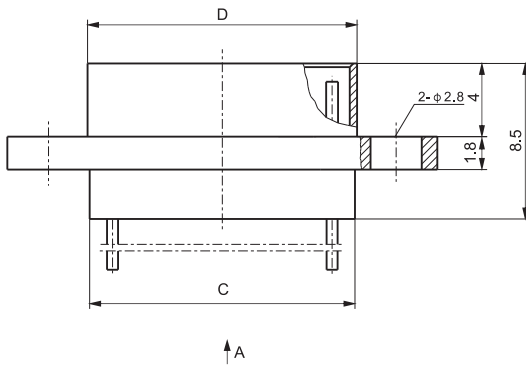
MDM1 Series Micro Rectangular Electrical Connector

⊙ MDM1-5、9、15、21、25、31、37、51、66、74、100 SL-G

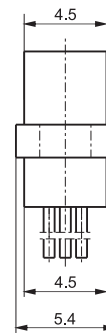
Product Stereoscopic Diagram



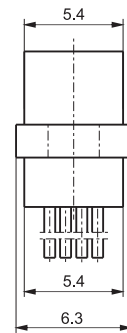
Product dimensions diagram



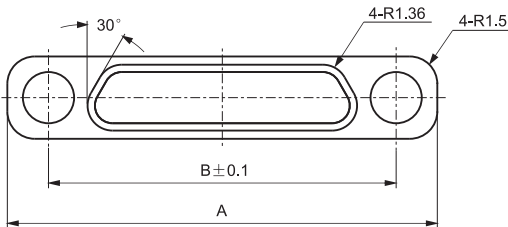
5~37



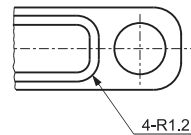
51、66



74、100



Direction A



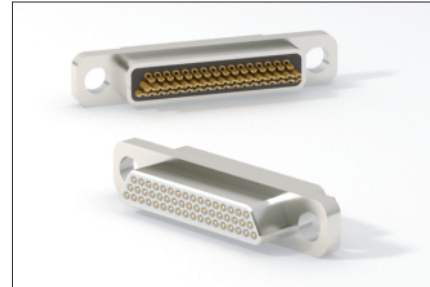
Product model	A	B	C	D
MDM1-5SL-G	13.5	9	4.5	4.78
MDM1-9SL-G	15.5	11	6.5	6.78
MDM1-15SL-G	18.5	14	9.5	9.78
MDM1-21SL-G	21.5	17	12.5	12.78
MDM1-25SL-G	23.5	19	14.5	14.78
MDM1-31SL-G	26.5	22	17.5	17.78
MDM1-37SL-G	29.5	25	20.5	20.78
MDM1-51SL-G	28.5	24	19.5	19.78
MDM1-66SL-G	33.5	29	24.5	24.78
MDM1-74SL-G	29.5	25	20.5	20.78
MDM1-100SL-G	36.5	32	27.5	27.78

MDM1 Series Micro Rectangular Electrical Connector

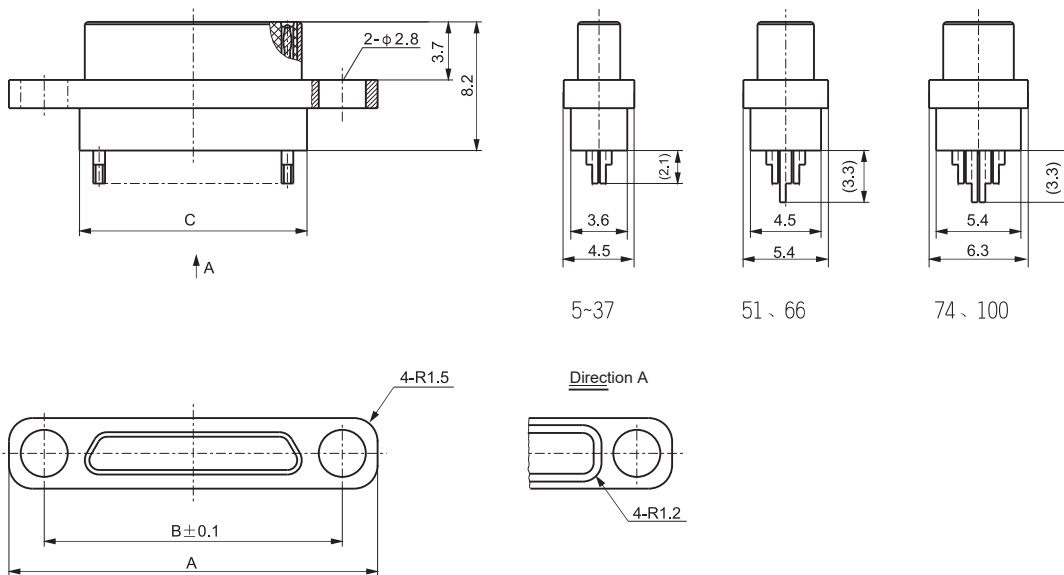
MDM1 Solder electrical connector

◎ MDM1-5、9、15、21、25、31、37、51、66、74、100PS-G

Product Stereoscopic Diagram



Product dimensions diagram

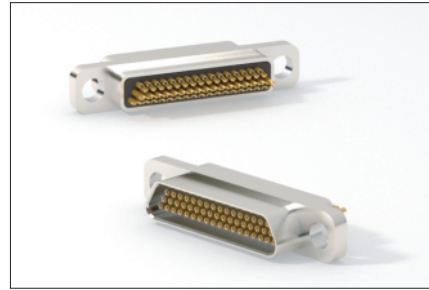


Product model	A	B	C
MDM1-5PS-G	13.5	9	4.5
MDM1-9PS-G	15.5	11	6.5
MDM1-15PS-G	18.5	14	9.5
MDM1-21PS-G	21.5	17	12.5
MDM1-25PS-G	23.5	19	14.5
MDM1-31PS-G	26.5	22	17.5
MDM1-37PS-G	29.5	25	20.5
MDM1-51PS-G	28.5	24	19.5
MDM1-66PS-G	33.5	29	24.5
MDM1-74PS-G	29.5	25	20.5
MDM1-100PS-G	36.5	32	27.5

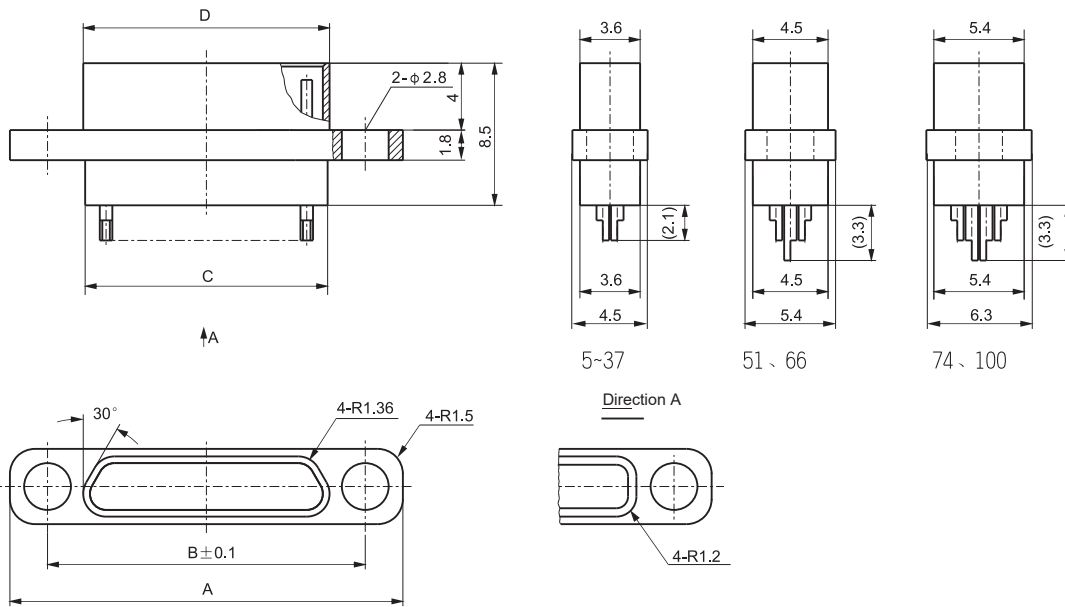
MDM1 Series Micro Rectangular Electrical Connector

◎ MDM1-5、9、15、21、25、31、37、51、66、74、100SS-G

Product Stereoscopic Diagram



Product dimensions diagram



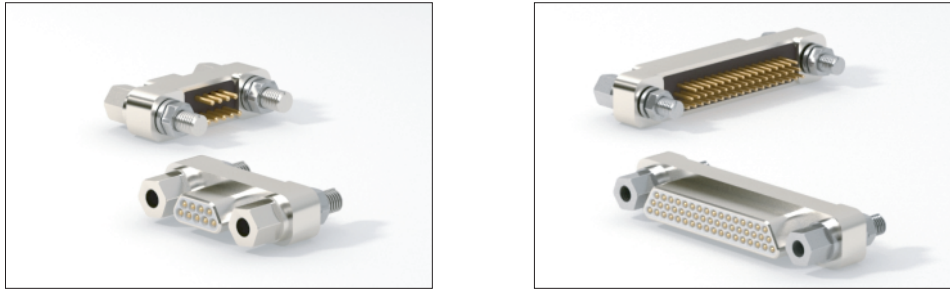
Product model	A	B	C	D
MDM1-5SS-G	13.5	9	4.5	4.78
MDM1-9SS-G	15.5	11	6.5	6.78
MDM1-15SS-G	18.5	14	9.5	9.78
MDM1-21SS-G	21.5	17	12.5	12.78
MDM1-25SS-G	23.5	19	14.5	14.78
MDM1-31SS-G	26.5	22	17.5	17.78
MDM1-37SS-G	29.5	25	20.5	20.78
MDM1-51SS-G	28.5	24	19.5	19.78
MDM1-66SS-G	33.5	29	24.5	24.78
MDM1-74SS-G	29.5	25	20.5	20.78
MDM1-100SS-G	36.5	32	27.5	27.78

MDM1 Series Straight Solder PCB Electrical Connector

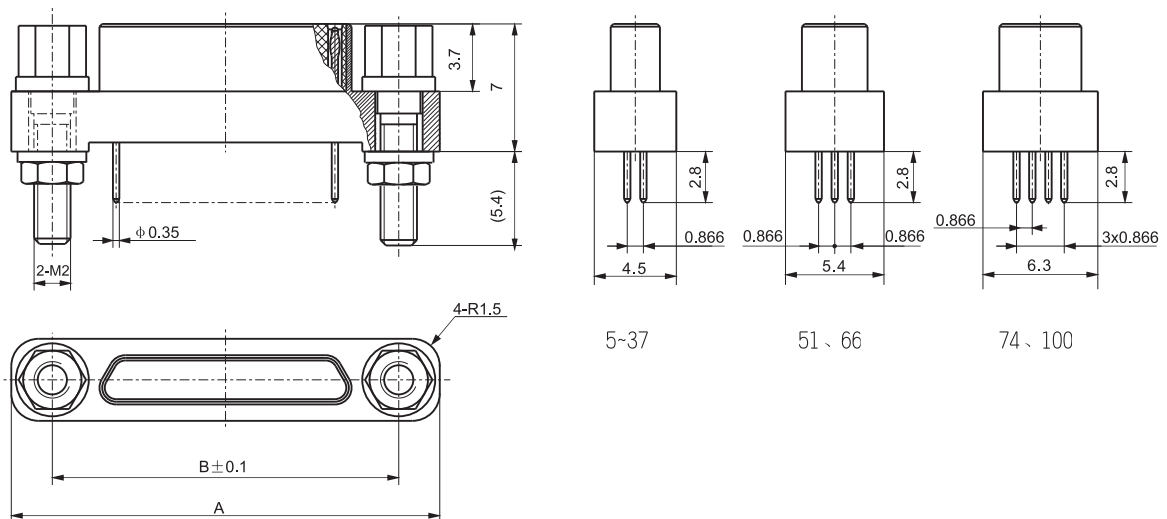
Product Features

- ⊙ The contact interval size is 1mm x 0.866mm (column x row), and the product comes with P4 type installation accessories
- ⊙ MDM1-5、9、15、21、25、31、37、51、66、74、100PNP4-G

Product Stereoscopic Diagram



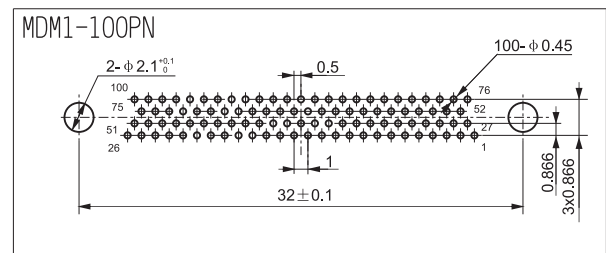
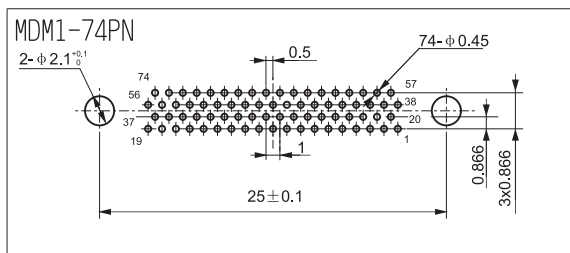
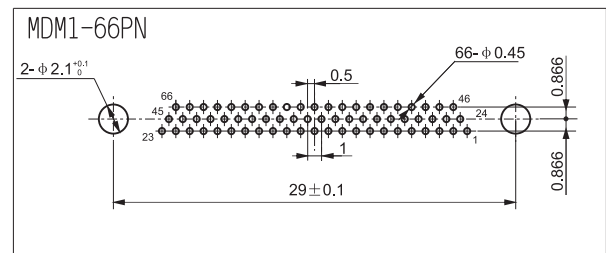
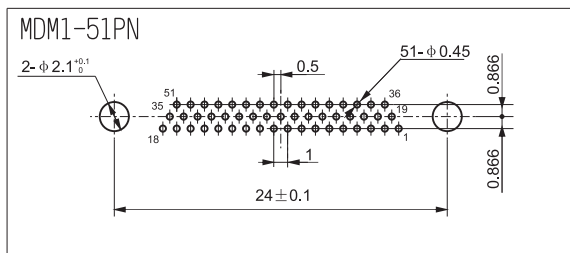
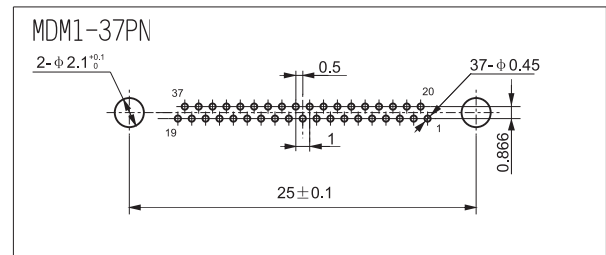
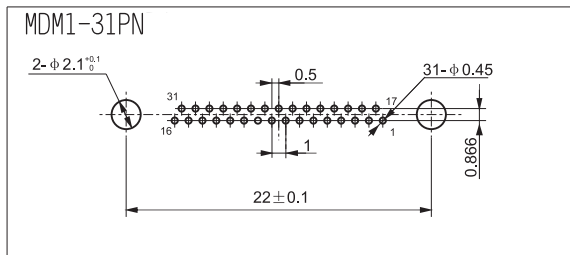
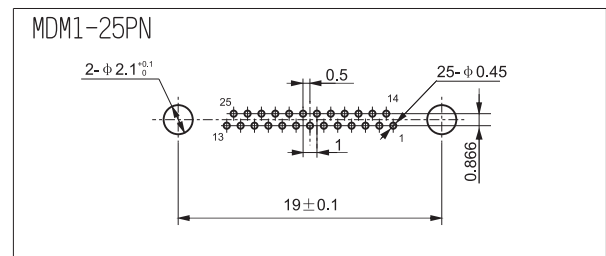
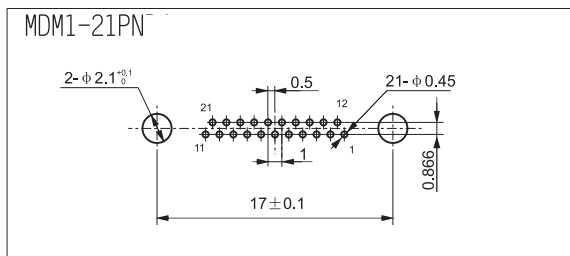
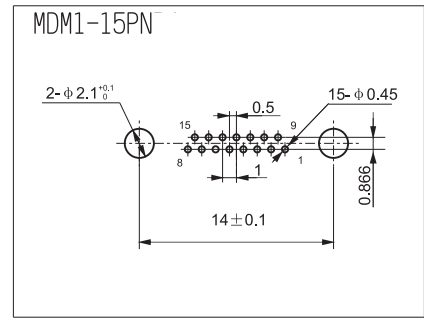
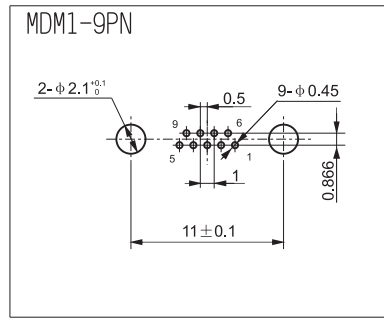
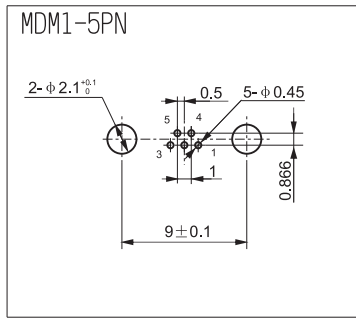
Product dimensions diagram



Product model	A	B
MDM1-5PNP4-G	13.5	9
MDM1-9PNP4-G	15.5	11
MDM1-15PNP4-G	18.5	14
MDM1-21PNP4-G	21.5	17
MDM1-25PNP4-G	23.5	19
MDM1-31PNP4-G	26.5	22
MDM1-37PNP4-G	29.5	25
MDM1-51PNP4-G	28.5	24
MDM1-66PNP4-G	33.5	29
MDM1-74PNP4-G	29.5	25
MDM1-100PNP4-G	36.5	32

MDM1 Series Straight Solder PCB Electrical Connector

MDM1 Straight Solder Printed Board Pin Electrical Connector Hole Size



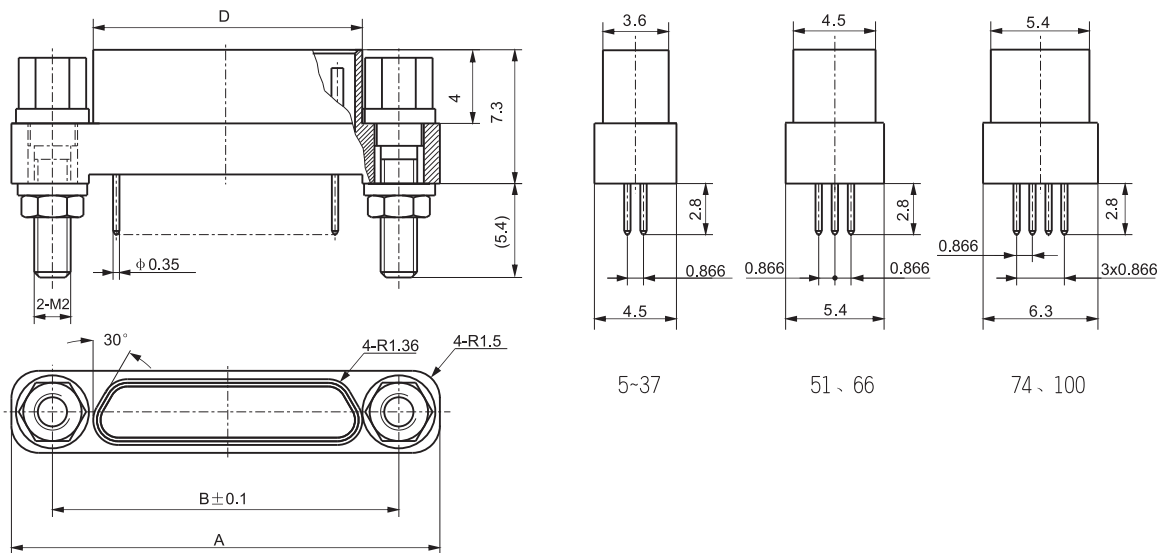
MDM1 Series Straight Solder PCB Electrical Connector

⊙ MDM1-5、9、15、21、25、31、37、51、66、74、100 SNP4-G

Product Stereoscopic Diagram



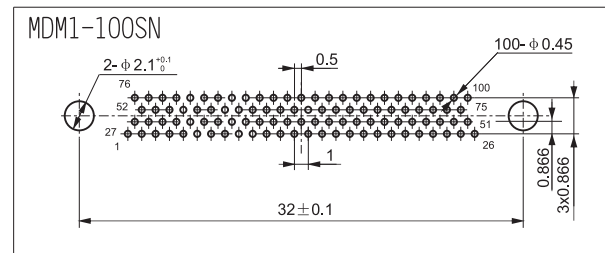
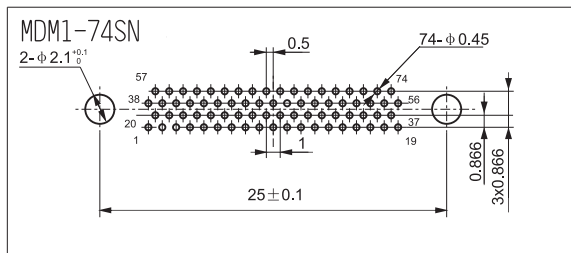
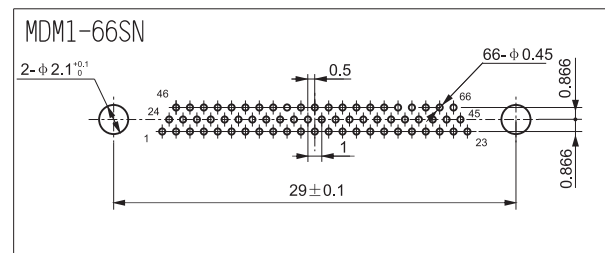
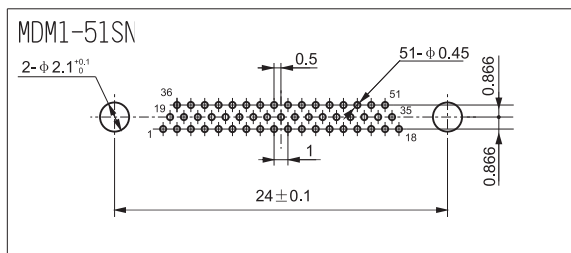
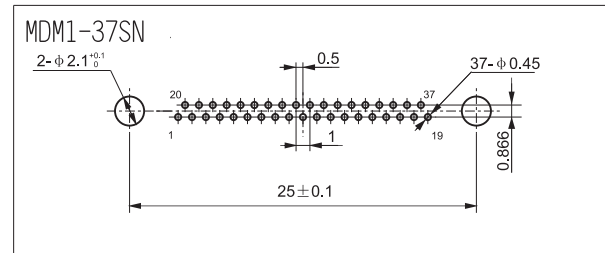
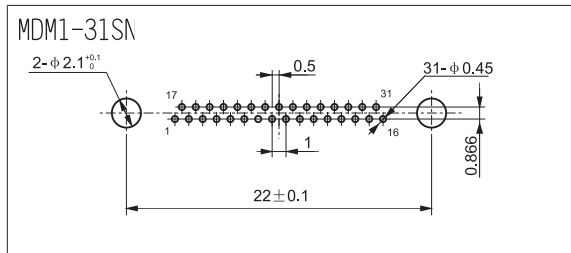
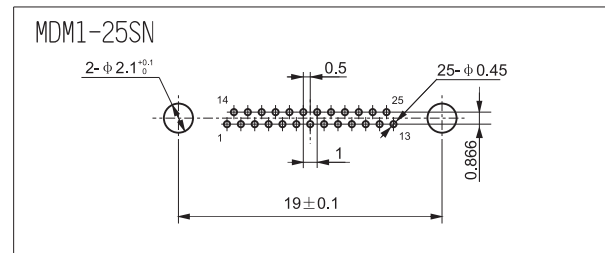
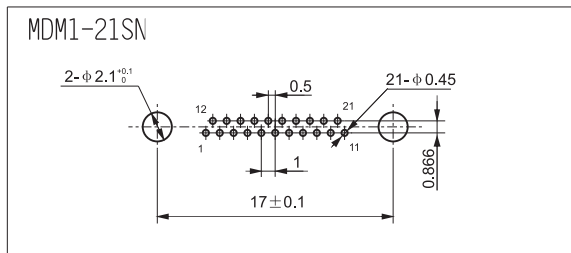
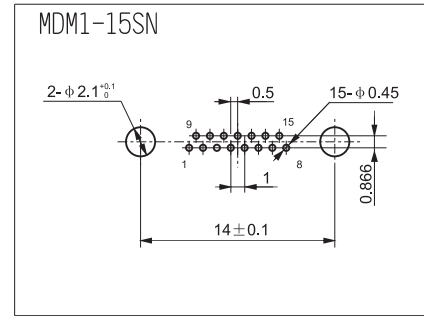
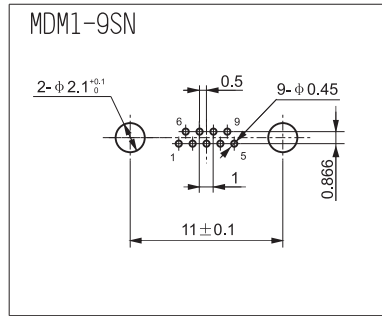
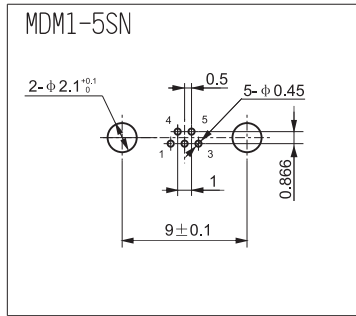
Product dimensions diagram



Product model	A	B	D
MDM1-5SNP4-G	13.5	9	4.78
MDM1-9SNP4-G	15.5	11	6.78
MDM1-15SNP4-G	18.5	14	9.78
MDM1-21SNP4-G	21.5	17	12.78
MDM1-25SNP4-G	23.5	19	14.78
MDM1-31SNP4-G	26.5	22	17.78
MDM1-37SNP4-G	29.5	25	20.78
MDM1-51SNP4-G	28.5	24	19.78
MDM1-66SNP4-G	33.5	29	24.78
MDM1-74SNP4-G	29.5	25	20.78
MDM1-100SNP4-G	36.5	32	27.78

MDM1 Series Straight Solder PCB Electrical Connector

MDM1 straight solder printed board socket electrical connector opening size

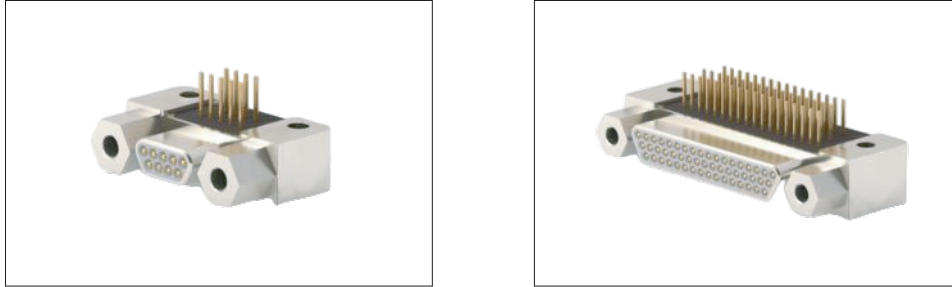


MDM1 Right angle solder printed board electrical connector

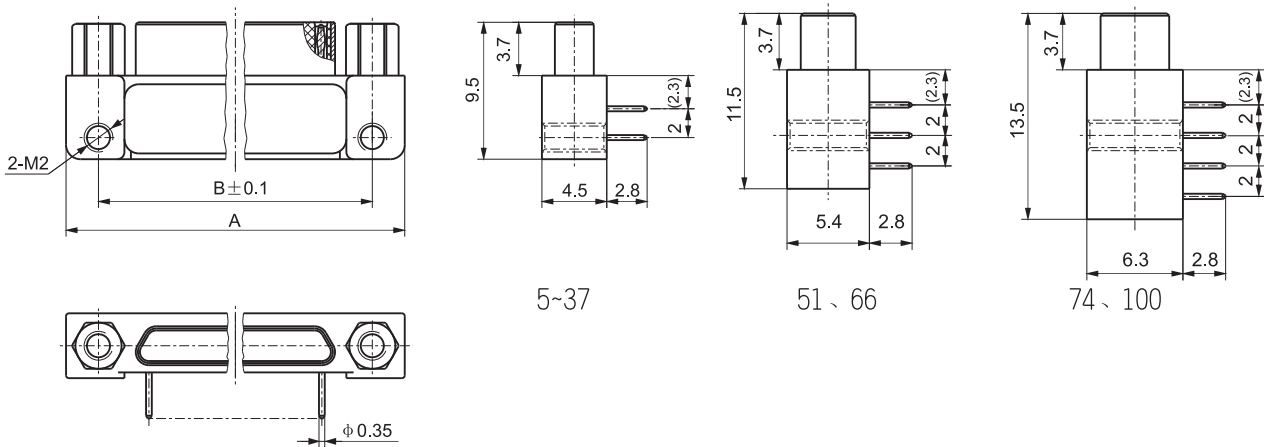
⊙ The contact interval size is 1mm x 2mm (column x row), and the product comes with P1 type installation accessories

⊙ MDM1_5、9、15、21、25、31、37、51、66、74、100 PW1P1-G

Product Stereoscopic Diagram



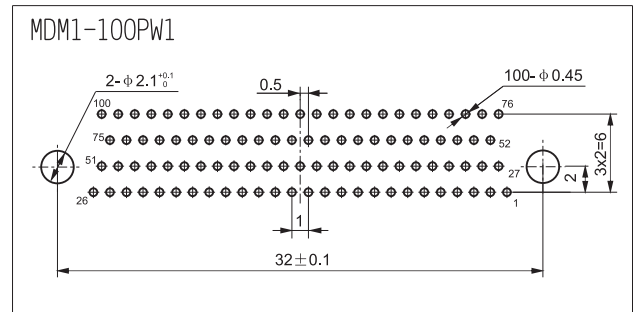
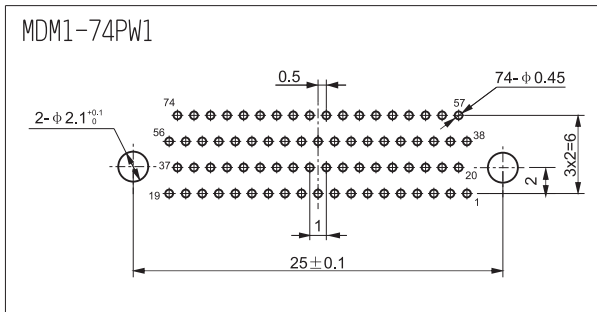
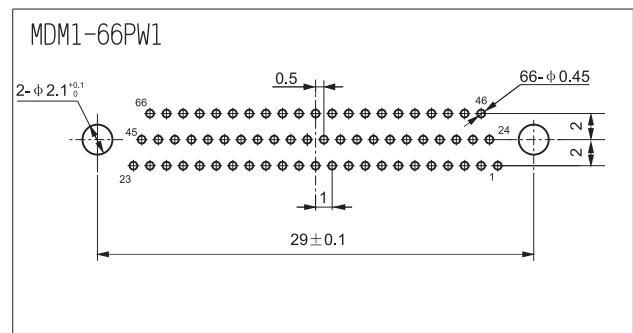
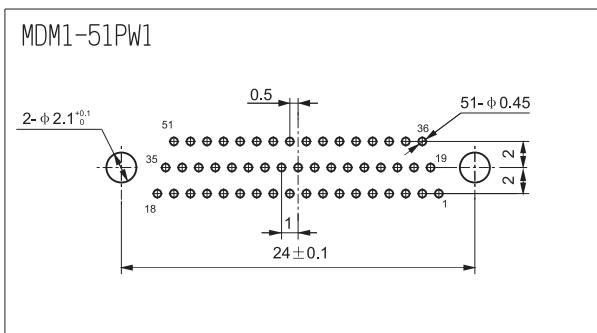
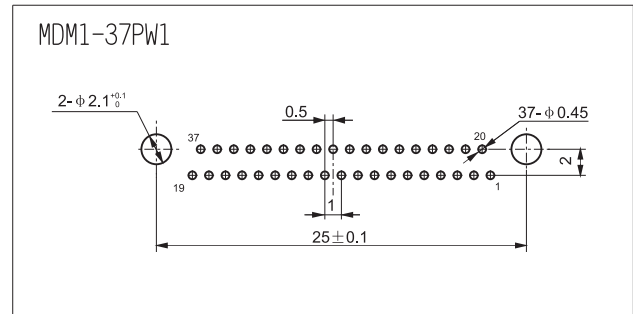
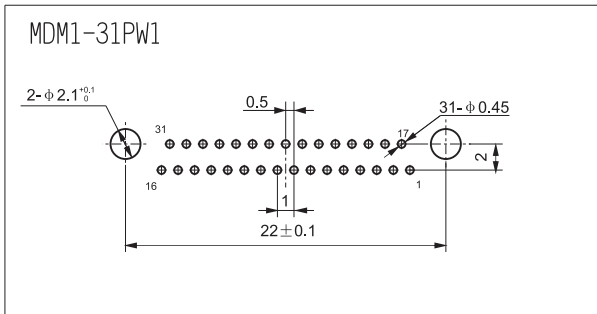
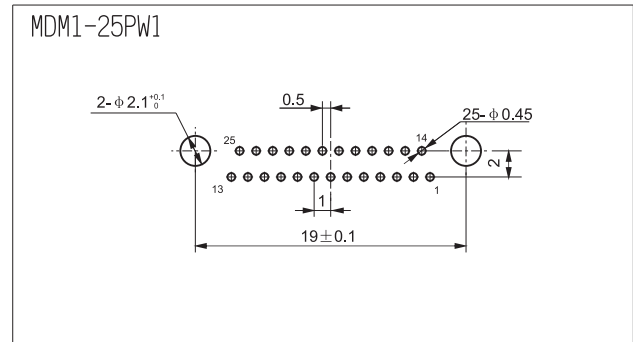
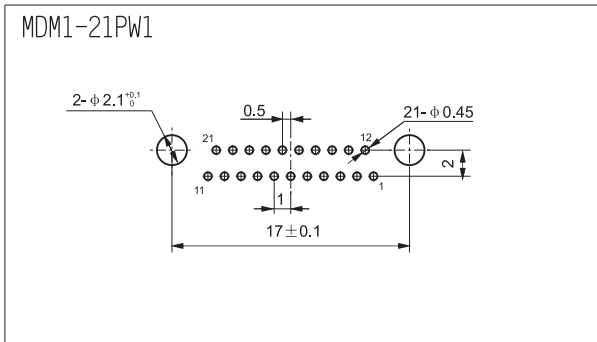
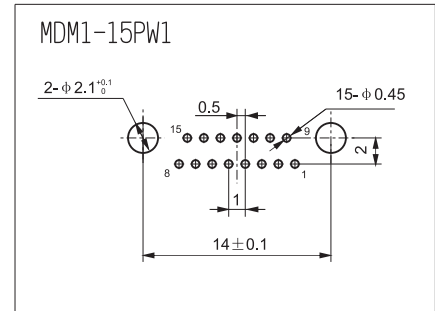
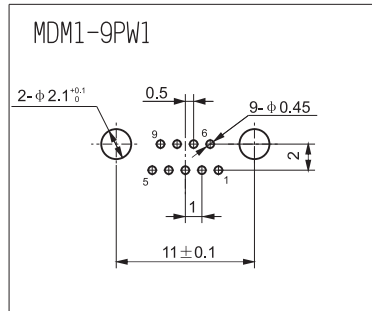
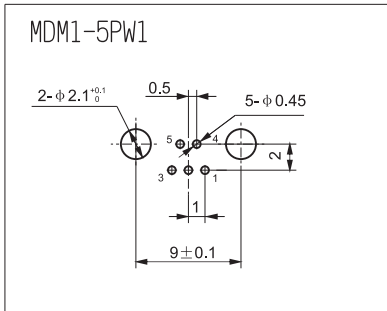
Product dimensions diagram



Product model	A	B
MDM1-5PW1P1-G	13.5	9
MDM1-9PW1P1-G	15.5	11
MDM1-15PW1P1-G	18.5	14
MDM1-21PW1P1-G	21.5	17
MDM1-25PW1P1-G	23.5	19
MDM1-31PW1P1-G	26.5	22
MDM1-37PW1P1-G	29.5	25
MDM1-51PW1P1-G	28.5	24
MDM1-66PW1P1-G	33.5	29
MDM1-74PW1P1-G	29.5	25
MDM1-100PW1P1-G	36.5	32

MDM1 Right angle solder printed board electrical connector

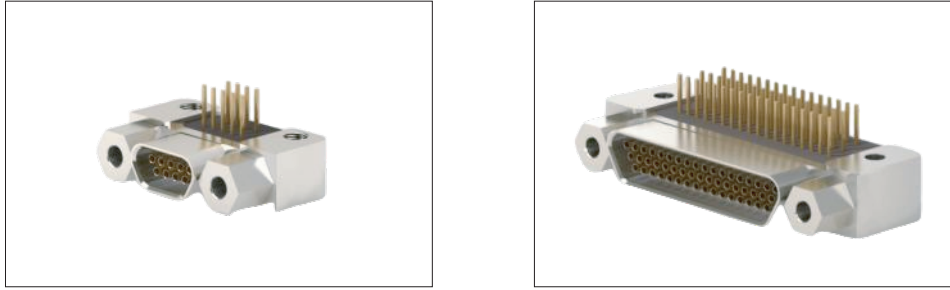
MDM1 right angle solder printed circuit board pin electrical connector opening size



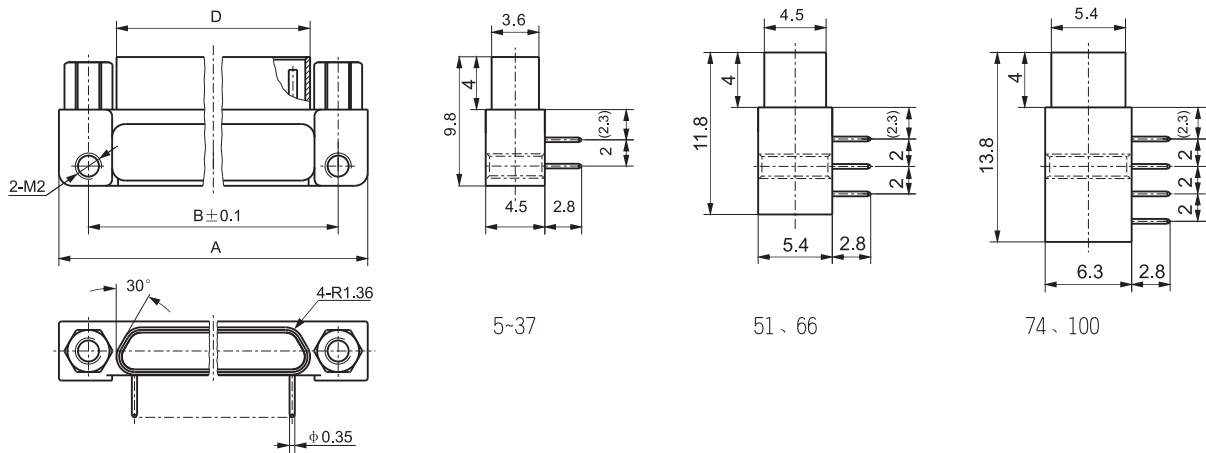
MDM1 Right angle solder printed board electrical connector

⊙ MDM1-5、9、15、21、25、31、37、51、66、74、100 SW1P1-G

Product Stereoscopic diagram



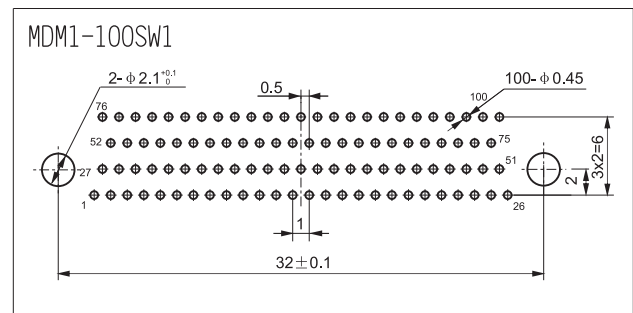
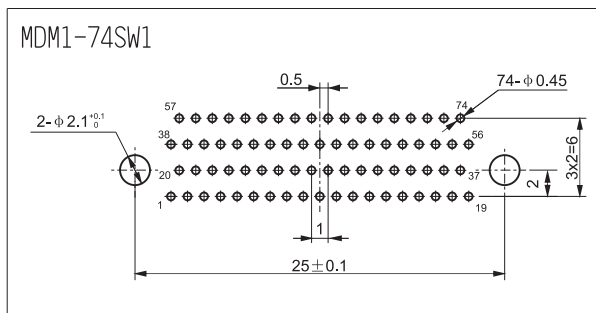
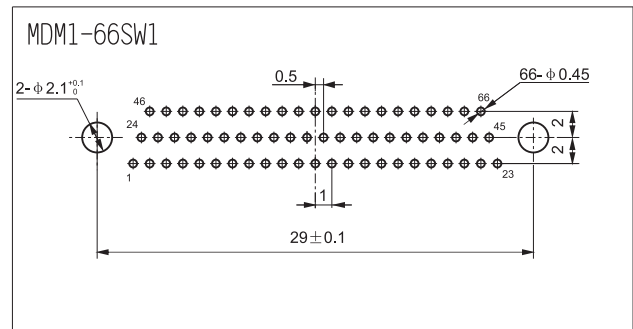
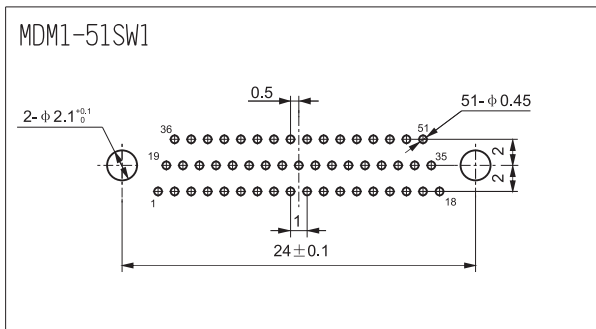
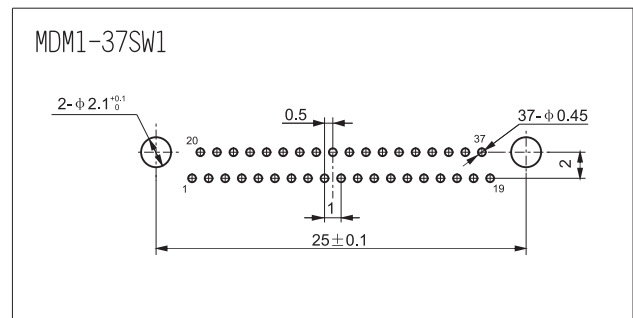
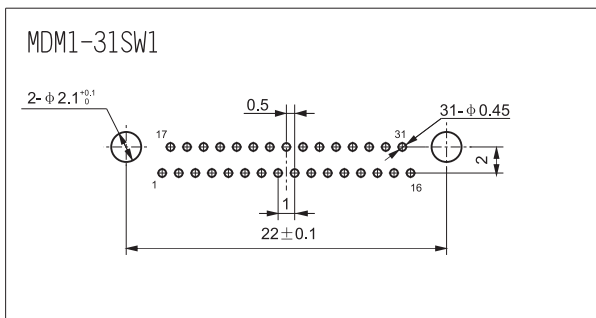
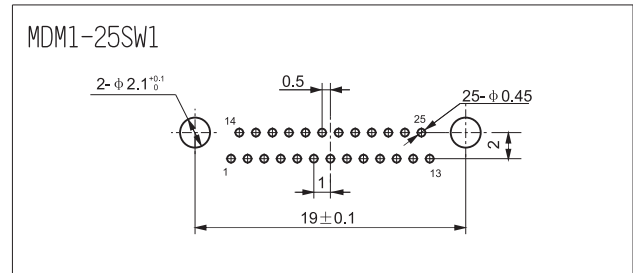
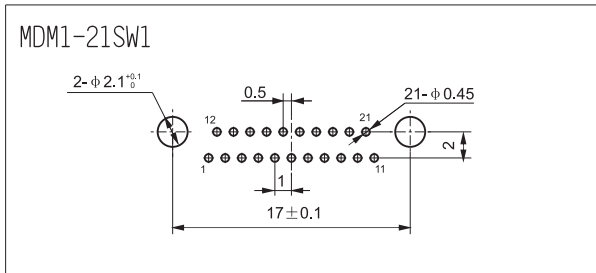
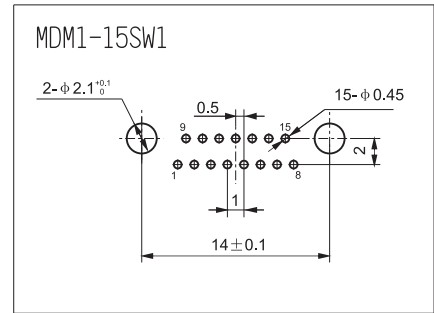
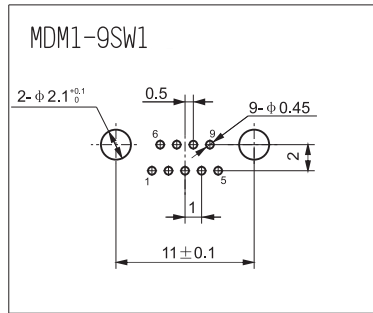
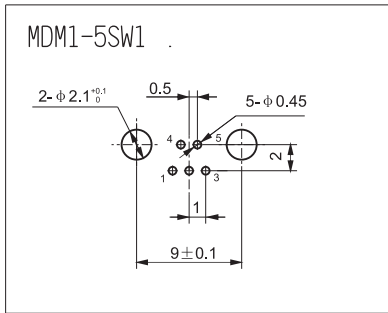
Product dimensions diagram



Product model	A	B	D
MDM1-5SW1P1-G	13.5	9	4.78
MDM1-9SW1P1-G	15.5	11	6.78
MDM1-15SW1P1-G	18.5	14	9.78
MDM1-21SW1P1-G	21.5	17	12.78
MDM1-25SW1P1-G	23.5	19	14.78
MDM1-31SW1P1-G	26.5	22	17.78
MDM1-37SW1P1-G	29.5	25	20.78
MDM1-51SW1P1-G	28.5	24	19.78
MDM1-66SW1P1-G	33.5	29	24.78
MDM1-74SW1P1-G	29.5	25	20.78
MDM1-100SW1P1-G	36.5	32	27.78

MDM1 Right angle solder printed board electrical connector

MDM1 right angle solder printed board socket electrical connector opening size



MDM1 Series Sealed Micro Rectangular Electrical Connector

Product Features

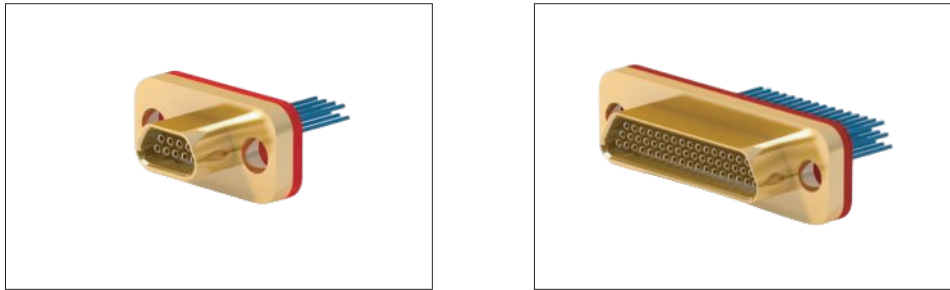
- ⊙ This product is a glass sintered gas sealed connector with a leakage rate not exceeding 1.0×10^{-6} Pa·cm³/s
- ⊙ The welding type allows the user to weld the wires themselves. If a metal sheath is required, it can be specified in the contract and self sealed after welding
- ⊙ Detailed specifications for product execution: Q/MB20553-2011

Performance Specifications

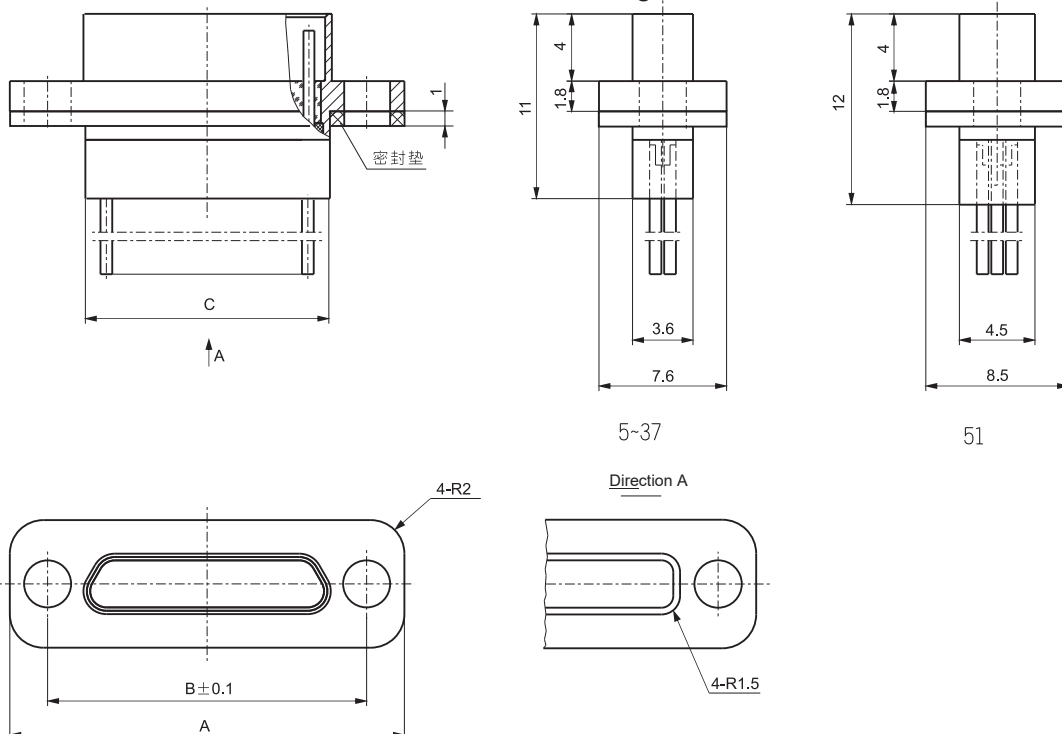
Performance Specifications			
Operating Temperature	-55℃~+125℃	Current Rating	2A max
Relative Humidity	+40℃, 98%	Contact Resistance	≤25mΩ
Low pressure	4.4KPa.150V	Insulation Resistance	≥1000MΩ
Vibration	10-2000Hz 196m/s ²	Dielectric Withstanding Voltage	500 V
Shock	490 m/s ²	Mechanical Life	500 times

⊙ MDM1-5、9、15、21、25、31、37、51 SM-G

Product Stereoscopic Diagram



Product dimensions diagram

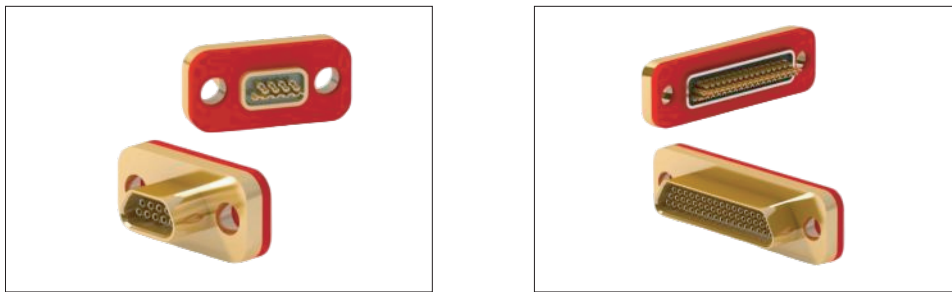


MDM1 Series Sealed Micro Rectangular Electrical Connector

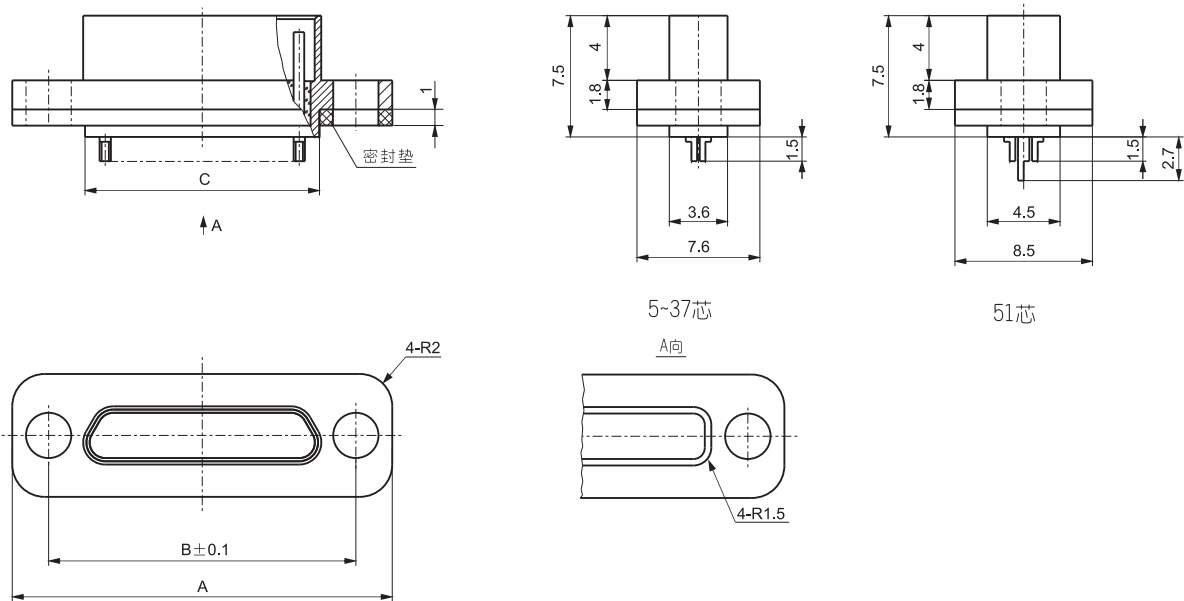
Product model	A	B	C	Product model	A	B	C
MDM1-5SM-G	13.5	9	4.5	MDM1-25SM-G	23.5	19	14.5
MDM1-9SM-G	15.5	11	6.5	MDM1-31SM-G	26.5	22	17.5
MDM1-15SM-G	18.5	14	9.5	MDM1-37SM-G	29.5	25	20.5
MDM1-21SM-G	21.5	17	12.5	MDM1-51SM-G	28.5	24	19.5

⊙ MDM1-5、9、15、21、25、31、37、51 SMS-G

Product Stereoscopic Diagram



Product dimensions diagram

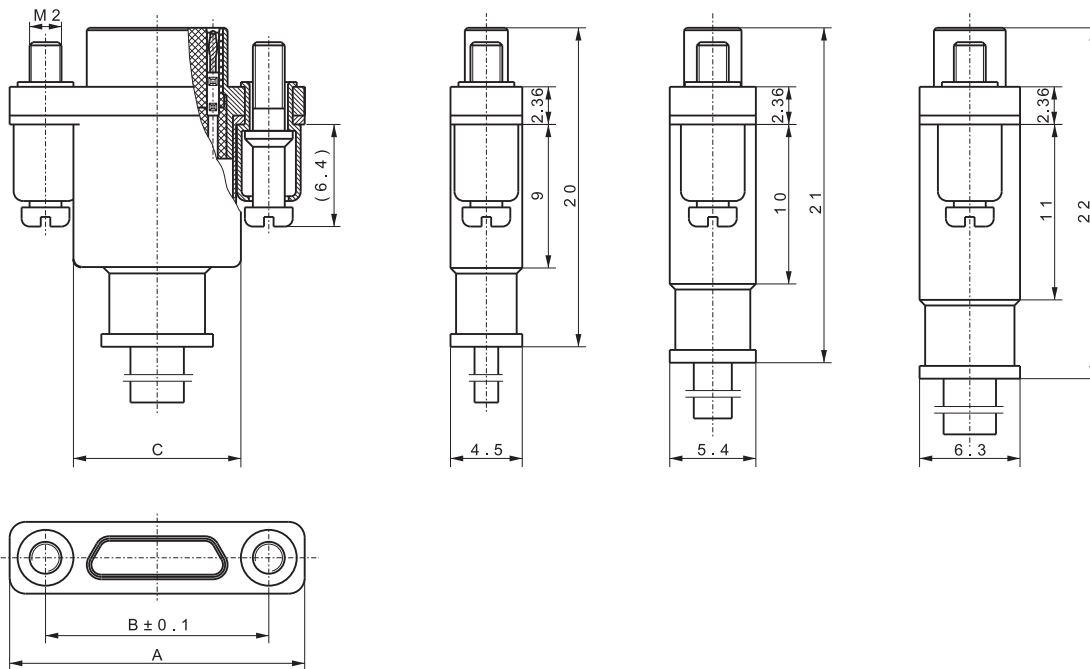


Product model	A	B	C	Product model	A	B	C
MDM1-5SMS-G	13.5	9	4.5	MDM1-25SMS-G	23.5	19	14.5
MDM1-9SMS-G	15.5	11	6.5	MDM1-31SMS-G	26.5	22	17.5
MDM1-15SMS-G	18.5	14	9.5	MDM1-37SMS-G	29.5	25	20.5
MDM1-21SMS-G	21.5	17	12.5	MDM1-51SMS-G	28.5	24	19.5

MDM1 Series Sealed Micro Rectangular Electrical Connector

MDM1 shielded wire shell electrical connector

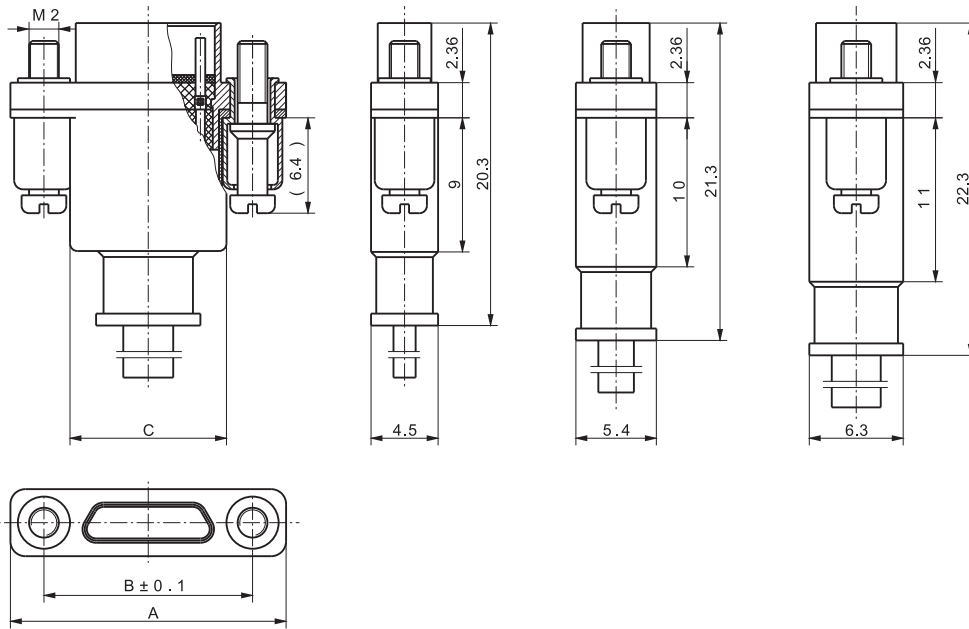
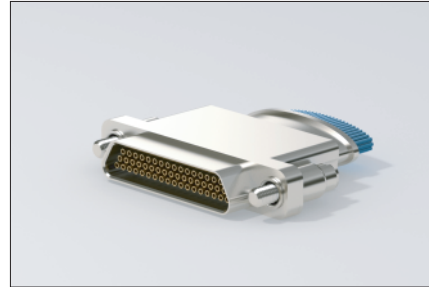
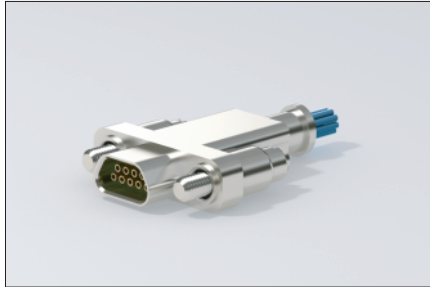
⊙ MDM1-5、9、15、21、25、31、37、51、66、74、100PHL4-G



Product model	A	B	C
MDM1-5PHL4-G	13.5	9	5.5
MDM1-9PHL4-G	15.5	11	7.5
MDM1-15PHL4-G	18.5	14	10.5
MDM1-21PHL4-G	21.5	17	13.5
MDM1-25PHL4-G	23.5	19	15.5
MDM1-31PHL4-G	26.5	22	18.5
MDM1-37PHL4-G	29.5	25	21.5
MDM1-51PHL4-G	28.5	24	20.5
MDM1-66PHL4-G	33.5	29	25.5
MDM1-74PHL4-G	29.5	25	21.5
MDM1-100PHL4-G	36.5	32	28.5

MDM1 Series Sealed Micro Rectangular Electrical Connector

⊙ MDM1-5、9、15、21、25、31、37、51、66、74、100 SHL4-G

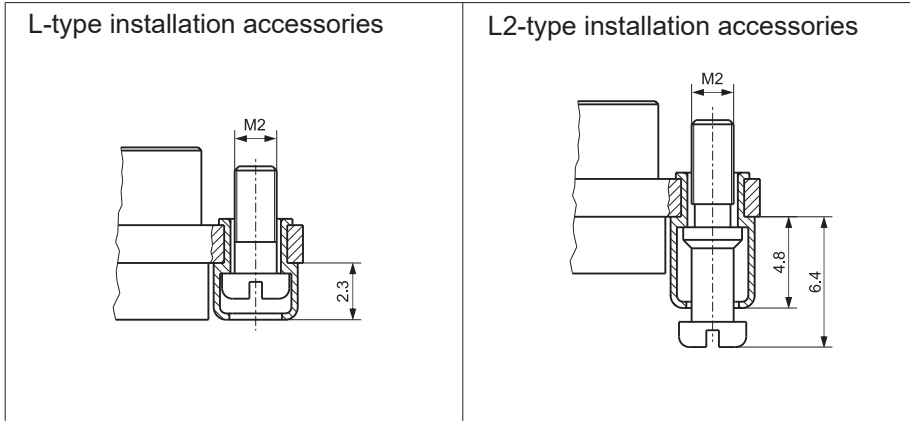


Product model	A	B	C
MDM1-5SPHL4-G	13.5	9	5.5
MDM1-9SHL4-G	15.5	11	7.5
MDM1-15SHL4-G	18.5	14	10.5
MDM1-21SHL4-G	21.5	17	13.5
MDM1-25SHL4-G	23.5	19	15.5
MDM1-31SHL4-G	26.5	22	18.5
MDM1-37SHL4-G	29.5	25	21.5
MDM1-51SHL4-G	28.5	24	20.5
MDM1-66SHL4-G	33.5	29	25.5
MDM1-74SHL4-G	29.5	25	21.5
MDM1-100SHL4-G	36.5	32	28.5

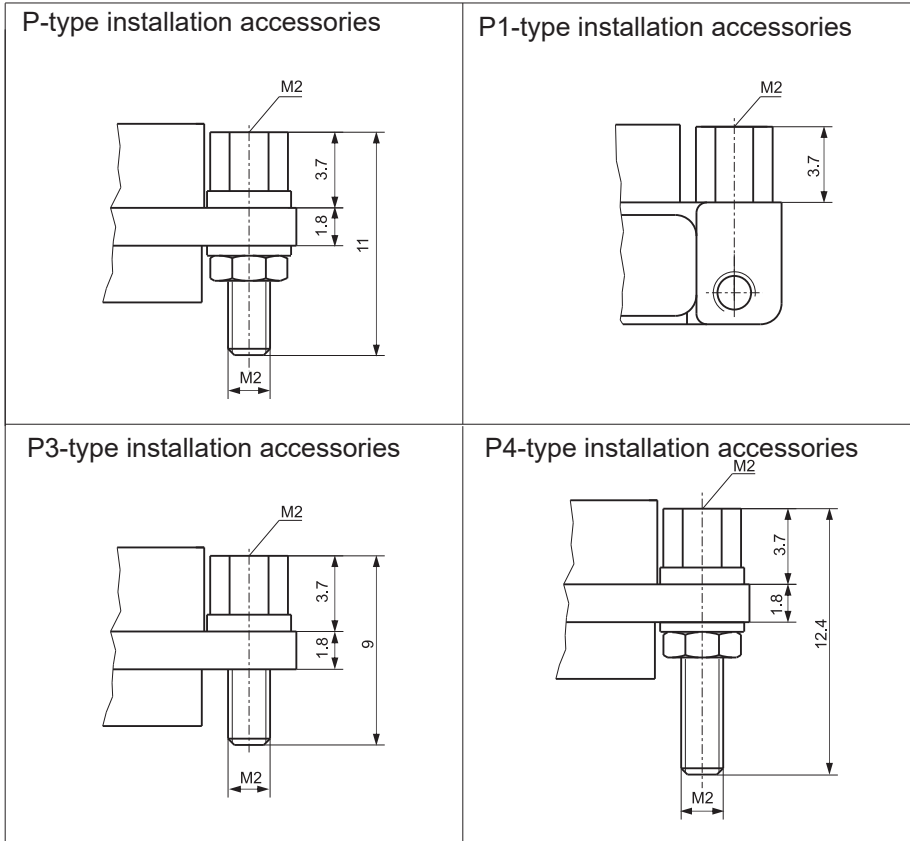
MDM1 Series Sealed Micro Rectangular Electrical Connector

MDM1 series installation accessories

MDM1 Free End Installation Accessories



MDM1 fixed end installation accessories



SUPPLY CHAIN ASSURANCE

- **GLOBAL URGENT DELIVERY**
 - We specialize in express urgent delivery, prioritizing the fastest possible transportation speeds to ensure time-sensitive shipments reach their destinations without delay.
- **EXTENSIVE INVENTORY AVAILABILITY**
 - We maintain a robust standing inventory of more than 3,000 models, enabling us to meet a wide range of customer requirements promptly and reliably.
- **RAPID AND COMPREHENSIVE RESPONSE**
 - We provide swift, high-quality support across all customer touchpoints—including delivery coordination, product design consultation, quality assurance, and after-sales service—to deliver exceptional responsiveness and resolution at every stage.

CUSTOM DEVELOPMENT CAPABILITY

Fast Sample Turnaround:

- From design drawing approval to physical sample delivery, we achieve a shortest lead time of just 14 days, enabling customers to transform concepts into tangible prototypes rapidly.

Flexible Customization:

- We offer full support for non-standard and highly specialized designs, providing tailored development solutions that precisely match each customer's unique technical requirements and application scenarios.

Rapid Iteration Capability:

- Our streamlined process supports fast design iterations, allowing quick optimization, refinement, and adjustments in response to evolving market needs and customer feedback.



*Address: Unit 505, **King's Commercial Building**,
2-4 Chatham Court, **Tsim Sha Tsui, Hong Kong.***